



PRORAPID

Semi Instantaneous Hot Water Generator



PRORapid

Semi Instantaneous Hot Water Generator

Introducing the PRORapid range, a series of powerful, semi instantaneous, hot water generators comprising a stainless steel buffer vessel and external plate heat exchanger.

The PRORapid series can reduce hot water storage volume whilst maintaining high level hot water outputs. The semi-instantaneous principle means that the externally mounted stainless steel plate heat exchanger provides a continuous flow of hot water, whilst the stainless steel buffer vessel provides a bulk supply to cover peaks in demand.

The PRORapid range comes in capacities from 200 litres to 2000 litres, with heat inputs of between 100kW and 250kW.

- BMS Compatible
- Maximum Working Pressure – 8bar
- Low Heat Losses
- Small Physical Footprint

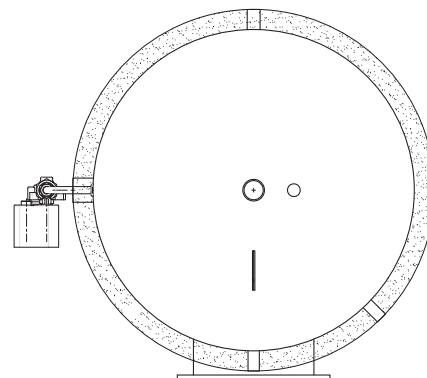
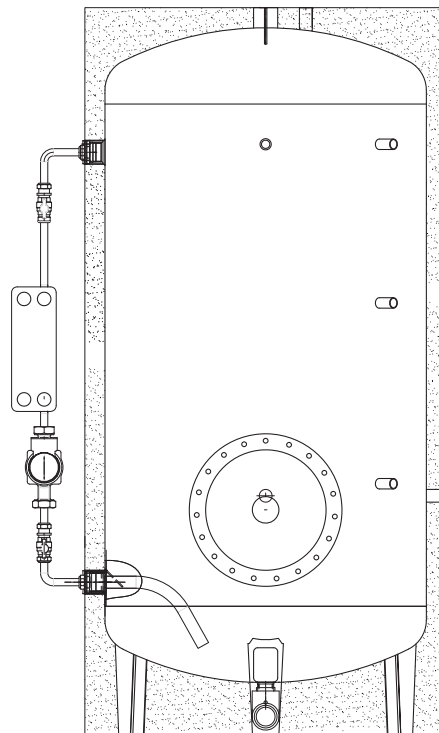
All of the units in the PRORapid range are fully WRAS approved.

Applications

- Care Homes
- Student Accommodation
- Sports & Leisure
- Hotels
- Restaurants
- Accommodation



- Vessel Capacities
200/300/500/800/1000/1400/ 200
- Factory fitted temperature and pressure relief valve
- Visual DHW temperature gauge
- Potable water un-vented system kit and



PRORapid Information

Construction Data

| | | | | | | | |
|---------------------------------------|---------|-----|---------|---------|-----|------|------|
| Capacity (litres) | 185 | 285 | 500 | 795 | 920 | 1435 | 1980 |
| Insulation Thickness (mm) | 50 | 50 | 50 | 50 | 50 | 50 | 50 |
| Maximum Operating Temperature (Deg C) | 99 | 99 | 99 | 99 | 99 | 99 | 99 |
| Standing Losses w/24hr | 38 | 53 | 77 | 59 | 183 | 92 | 112 |
| Inspection Hatch | 180/120 | | 300/220 | 380/300 | | | |

| | | | | | | | | | | |
|---------------------------------------|-------|------|------|------|------|------|------|------|------|------|
| Heat Input (kw) | 110 | 110 | 110 | 135 | 175 | 250 | 175 | 250 | 175 | 250 |
| DHW Output 1st Hour (litres) | 2092 | 2192 | 2392 | 3122 | 4010 | 5300 | 4510 | 5800 | 5010 | 6300 |
| Weight Empty (kg) | 70 | 95 | 115 | 170 | 183 | 248 | 300 | | | |
| Max Operating Pressure (Vessel - bar) | 8 bar | | | | | | | | | |
| Brazed Plate Max Pressure Drop (kPa) | 50 | 50 | 50 | 45 | 50 | 50 | 50 | | | |

Dimensions

| | | | | | | | |
|--|------|------|------|------|------|------|------|
| Overall Height (mm) | 1363 | 1742 | 1890 | 1815 | 2105 | 2425 | 2495 |
| Overall Diameter without insulation (mm) | 480 | 480 | 630 | 800 | 800 | 950 | 1100 |

Connections

| | | | | | | | |
|---------------------------|---------|--------|---------|---------|---------|---------|---------|
| Cold Water Inlet | 1 1/4" | 1 1/4" | 2" | 2" | 2" | 2" | 2" |
| Domestic Hot Water Outlet | 1 1/4" | 1 1/2" | 1 1/2" | 2" | 2" | 2" | 2" |
| Hot Water Return | 3/4" | 3/4" | 3/4" | 3/4" | 3/4" | 3/4" | 3/4" |
| Primary Connections | 1" | 1" | 1" | 1" | 1" | 1" | 1" |
| Brazed Plate Inlet/Outlet | 1" | 1" | 1" | 1" | 1" | 1" | 1" |
| Control Panel Connections | 1/2" | 1/2" | 1/2" | 1/2" | 1/2" | 1/2" | 1/2" |
| T&P Valve | 3/4" | 3/4" | 3/4" | 3/4" | 3/4" | 3/4" | 3/4" |
| Sensor Tappings | 1/2" | 1/2" | 1/2" | 1/2" | 1/2" | 1/2" | 1/2" |
| Inspection Hatch (mm) | 180/120 | | 300/220 | 380/300 | 380/300 | 380/300 | 380/300 |
| Optional Immersion Heater | 1 1/2" | 1 1/2" | 2" | 2" | 2" | 2" | 2" |

| | |
|----------------------------|--------------------------|
| Construction Material | Duplex Stainless Steel |
| Insulation Type | Hard Polyutherane Jacket |
| Arrangement | Vertical |
| Standards | WRAS Cert No 1311340 |
| Electric Immersion Back-up | Optional |



COMMERCIAL HOT WATER SOLUTIONS LTD

The Hive, Weston-super-Mare

BS24 8EE, United Kingdom

t. 01934 411 252

e. info@chwsLtd.co.uk

www.chwsLtd.co.uk



“Commercial Hot Water Solutions Ltd (CHWS Ltd) are a Bosch recognised supplier of high quality commercial and industrial hot water generators and storage vessels for use with the Bosch Commercial and Industrial range of boilers and water heaters”